



MODEL NO: CPPAZ

PART NO: 6499650

## LEVER ACTION DRUM PUMP

### INTRODUCTION

Thank you for purchasing this CLARKE drum pump,

Suitable for petroleum based and high viscosity fluids, such as diesel, paraffin, transmission fluid, machine oil, lubricating oil, fuel oil, anti-freeze, etc

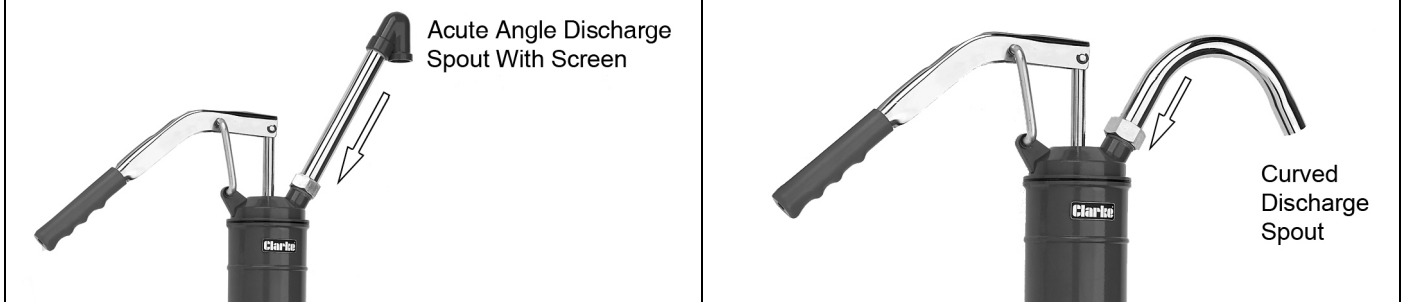
Before attempting to use this product, please read this manual thoroughly and follow the instructions carefully.



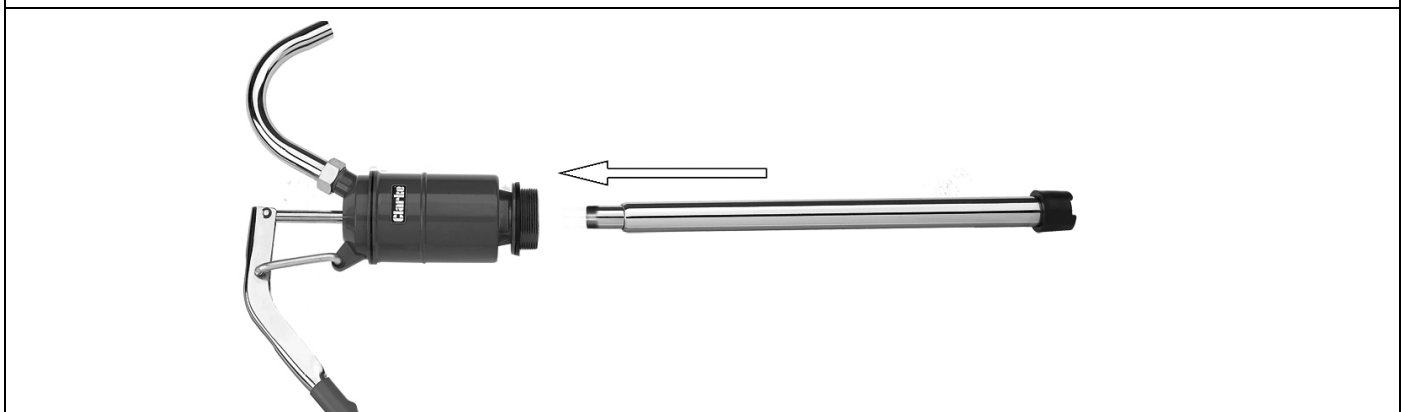
**WARNING: THIS PRODUCT SHOULD NOT BE USED FOR FLUID TRANSFER INTO AIRCRAFT. THIS PRODUCT IS NOT SUITABLE FOR USE WITH FLUIDS FOR HUMAN CONSUMPTION OR AQUEOUS FLUIDS.**

### ASSEMBLY

#### FITTING THE REQUIRED OUTLET TUBE



#### FITTING THE TELESCOPIC INLET TUBE



#### FITTING THE PUMP TO A BARREL

1. Adjust the telescopic extension tube to the required length.
  - The bottom of the telescopic extension tube should be just off of the bottom of the barrel/drum when fitted.
2. Screw the pump into the threaded opening of the barrel/drum.

---

## SAFETY

---

To ensure safe and efficient operation, it is essential to read and follow each of these warnings and precautions.

1. When used to pump flammable liquids, improper use or installation of this product can cause serious bodily injury or death.
2. Do NOT smoke near the pump or use the pump near an open flame. Fire could result.
3. When pumping flammable liquids, all equipment must be grounded to prevent the build up of static electricity which may ignite vapors or gases.
4. For use with refined petroleum products and fluid compatible with nitrile and steel.

---

## USING THE PUMP

---

1. Make sure all connections are secure and place a suitable container under the outlet tube.
2. Pump the handle to draw fluid from the barrel/drum.
  - The first time you use the pump, liquid should begin flowing on the fifth or sixth stroke.

---

## MAINTENANCE

---

### CLEANING THE INLET FILTER

1. Unscrew the inlet filter on the bottom of the telescopic tube and clear away any debris it has trapped.
2. Replace the filter.



CAUTION: DO NOT USE THE PUMP WITHOUT THE FILTER IN PLACE.

---

## SPECIFICATIONS

---

Container Adaptor Size	2" BSP
Max Flow	0.4 litres per stroke
Inlet Tube Length	445 - 840 mm
Inlet Tube Diameter	19.5 mm
Outlet Tube Diameter	19.5 mm
Dims (WDH)	400 x 90 x 1200 mm (fully extended)
Product Weight	2.8 kg

---

## GUARANTEE

---

This product is guaranteed against faulty manufacture for a period of 12 months from the date of purchase. Please keep your receipt which will be required as proof of purchase.

This guarantee is invalid if the product is found to have been abused or tampered with in any way, or not used for the purpose for which it was intended.

Faulty goods should be returned to their place of purchase, no product can be returned to us without prior permission.

This guarantee does not effect your statutory rights.